



# DIMMABLE CANOPY FIXTURE

40W / 347-480V

#CF2-404-2



PHILIPS LUMILEDS



10 YEAR WARRANTY

## DESCRIPTION

Core's CF2 series Dimmable LED Canopy Fixture is the ultra-thin, energy-efficient solution for illuminating commercial and industrial environment. Designed better using a dropped diffuser lens, the fixture provides maximum lateral light distribution while minimizing glare. As a DLC listed Parking Garage Luminaire, it is perfect for use in parking structures, storage areas, shopping area walkways, and entryways.

## MOUNTING OPTIONS



Pendant Mounting  
with a 3/4" conduit



Direct Surface  
mounting

## POPULAR APPLICATIONS



STORAGE CENTERS



PARKING LOTS



GAS STATIONS

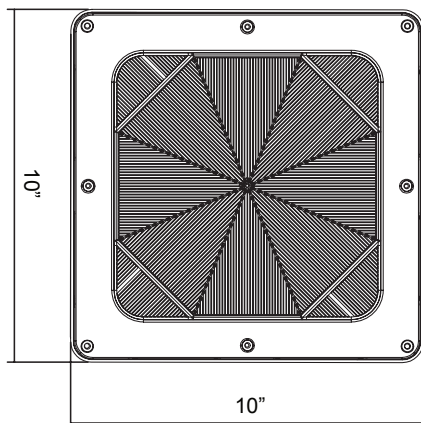


WALKWAYS

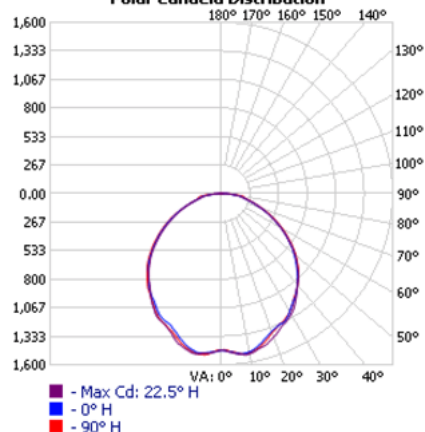
## PRODUCT DIMENSIONS

## PHOTOMETRIC SPECS / ILLUMINANCE AT A DISTANCE

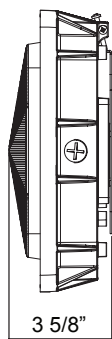
BOTTOM VIEW



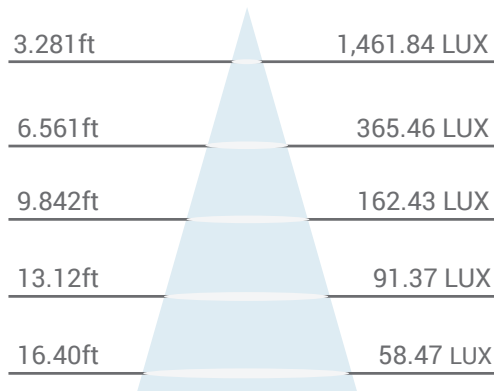
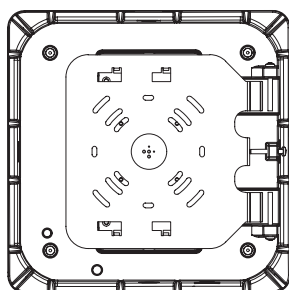
Polar Candela Distribution



SIDE VIEW



TOP VIEW



## TECHNICAL DATA

### LIGHT SPECIFICATIONS

Lumens	<b>4258</b>
Efficacy	<b>113.39 lm/W</b>
CCT	<b>4000K</b>
CRI	<b>≥82.1</b>
Dimmable	<b>Yes</b>
Replaces	<b>up to a 150W H.P.S.</b>

### DRIVER

Brand	<b>Inventronics</b>
Driver Type	<b>Constant Current</b>
Driver Output	<b>25-42V</b>

### HOURS

Rated Hours	<b>50,000</b>
-------------	---------------

### ELECTRICAL

Wattage	<b>40W</b>
System Watts	<b>37.56W</b>
Input Voltage	<b>347-480V</b>
Power Factor	<b>0.9541</b>
THD	<b>9.12%</b>

### CONSTRUCTION

Housing Material	<b>Alloy Aluminum</b>
Lens Material	<b>Polycarbonate Drop Lens</b>
Finish & Color	<b>Bronze</b>
IP Rating	<b>IP65</b>
Knockout Size	<b>3/4"</b>

### LED CHIP

Chip Brand	<b>PHILIPS LUMILEDS</b>
Chip Type	<b>SMD 3030</b>

### TEMPERATURE

Minimum Start	<b>-40°C / -40°F</b>
Ambient Temp	<b>40°C / 104°F</b>

### DIMENSIONS & WEIGHT

Dimensions	<b>10" x 10" x 3 5/8"</b>
Weight	<b>3.0 KGS</b>

### APPROVALS & LISTINGS

cUL	<b>IFAM7.E473127</b>
DLC Listed	<b>PCJP6ZPX</b>
IESNA	<b>LM79</b>